

Capacity	Accuracy	Part-Number
3 kg	C3D	L6D21-C3D-3kg-4B
6 kg	C3D	L6D21-C3D -6kg-4B
10 kg	C3D	L6D21-C3D-10kg-4B
15 kg	C3D	L6D21-C3D-15kg-4B
20 kg	C3D	L6D21-C3D-20kg-4B
30 kg	C3D	L6D21-C3D-30kg-4B
40 kg	C3D	L6D21-C3D-40kg-4B
50 kg	C3D	L6D21-C3D-50kg-4B

RoHS



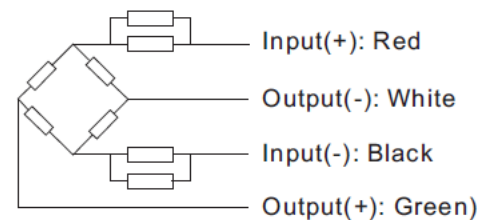
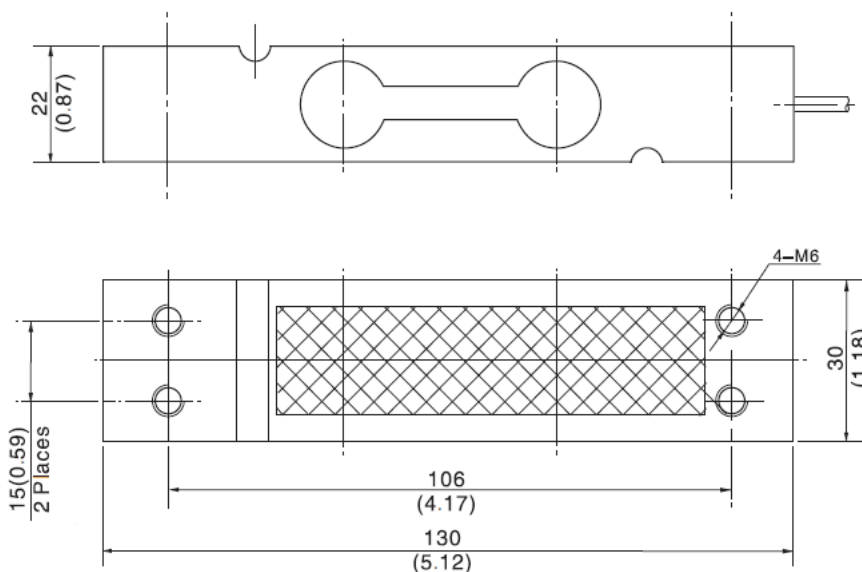
- Aluminium-Alloy IP67 single point load cell.
- Colourless anodized
- Excellent waterproof performance
- Recommended platform size: 250 x 350mm



## Specification:

Accuracy class		C3D
Output sensitivity ( = FS )	mV/V	2.0 ± 0.2
Maximum capacity (E <sub>max</sub> )	kg	3, 6, 10, 15, 20, 30, 40, 50
Maximum number of load cell intervals ( n <sub>LC</sub> )		2500
Ratio of minimum LC verification interval $Y = E_{max} / v_{min}$		5000
Combined Error	%FS	± 0.0200
Safe overload	of E <sub>max</sub>	150 %
Ultimate overload	of E <sub>max</sub>	300 %
Zero balance	of FS	< ± 2.0 %
Excitation, recommended voltage	V	5 ~ 12 DC
Excitation maximum	V	18 DC
Terminal resistance, input	Ω	409 ± 6
Terminal resistance, output	Ω	350 ± 3
Insulation impedance	MΩ	≥5000 ( 50VDC )
Temperature range, compensated	°C	-10 ~ +40
Temperature range, operating	°C	-35 ~ +65
Element material		Aluminium
Recommended torque on fixation bolts	Nm	10
Ingress Protection (according to EN 60529)		IP67

## Outline Dimensions in mm



### Wiring:

- Adopt a shielded, 4 conductor cable, and cable jacket is PVC.
- Standard cable length: 4m
- Cable diameter: 3.8X0.2mm
- Shield not connected to element.

Nr. 2010.06 L6D21 Rev2